

# CARTRIDGE FILTER HOUSINGS

## OVERVIEW





## BRETTEN-GÖLSHAUSEN LOCATION

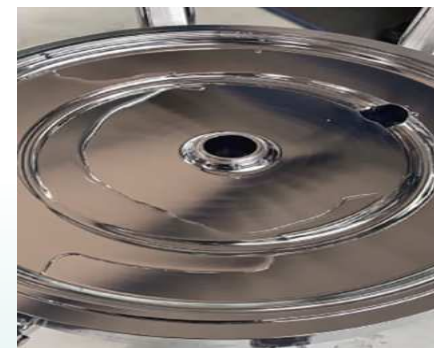
From here we operate domestically and internationally – with expertise and in the 50th year of our success story.

Filter housings for liquid filtration and gas filtration, in the following materials: 1.4301, 1.4404, 1.4435, 1.4571 & special materials such as AL6XN, Hastelloy (2.4602/2.4605/2.4610) also in combination and materials such as Duplex (1.4462) or Super Duplex (1.4410).

Inlet and outlet in T-Line and L-Line or InLine housing  
ATEX equipment directive 2014/34/EU -- for potentially explosive environments, special ATEX earthing features and clearance certificate.

Highest quality specifications - internal surfaces: Ground and E-polished,  $Ra \leq 0.38 \mu m$  and  $Ra \leq 0.8 \mu m$

If necessary conformity with BPE ASME Bioprocessing Equipment (BPE). We know about the importance of drainability of filter housings, link to a video:



We fulfil your requirements for 4 key industries:



## FILTER HOUSINGS OVERVIEW

Enquiry  
form on  
our homepage:



Depending on the application and dimensioning, we offer the following cartridge filter housings with specific housing closures as standard:

1. crimped housing - 35000 - B
2. aseptic housing, DIN 11864 - 15000 - A
3. TC housing, DIN32676 - 15000 - C
4. flanged housing - 15000 - F
5. bracket screw housing 15000 - K
6. swing bolt housing 15000 - W
7. crimped inline housing 39000 - B
8. aseptic inline housing 39100 - A
9. TC inline housing 39100- C
10. low volume aseptic housing 41000 - A
11. low volume TC housing 40000- C
12. aseptic condensate/gas filter housing 38000 - A
13. TC condensate/gas filter housing 38000 - C



The design of the housings is created in close cooperation with the customer.

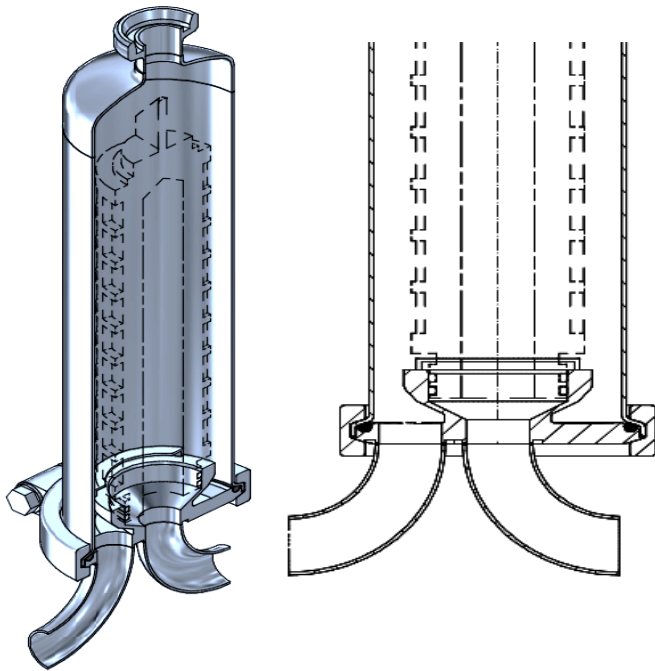
Designed and calculated as standard in accordance with AD2000, PED 2014/68/EU Module A to H/H1

Modular housing system and adaptable to different filter cartridge lengths (5', 10', 20', 30' or 40"), 1 - 80 seats. The venting of the housing can also be configured, as well as the feet and heating (more on page 10).

The housing connections can be configured according to your requirements, in DIN, ISO and inch (ASME BPE) dimensions and with various fittings: Butt weld, Aseptic DIN11853/11864 TC DIN32676 - Flange EN1092-1 Dairy thread DIN 11851



## 1. CRIMPED HOUSING - 35000

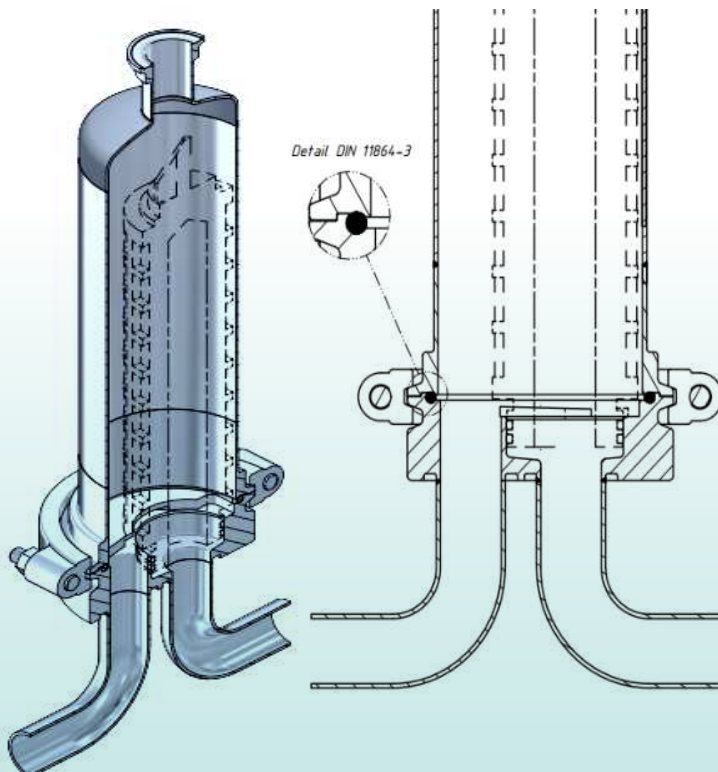


As standard, only permitted up to 8 bar max. pressure and max. 90°C (liquid media).

Basically ideal for GIP housings.

For classification according to PED category, only a maximum of 5-place housings can be offered with crimped borders.

## 2. ASEPTIC HOUSING, DIN 11864 - 15000

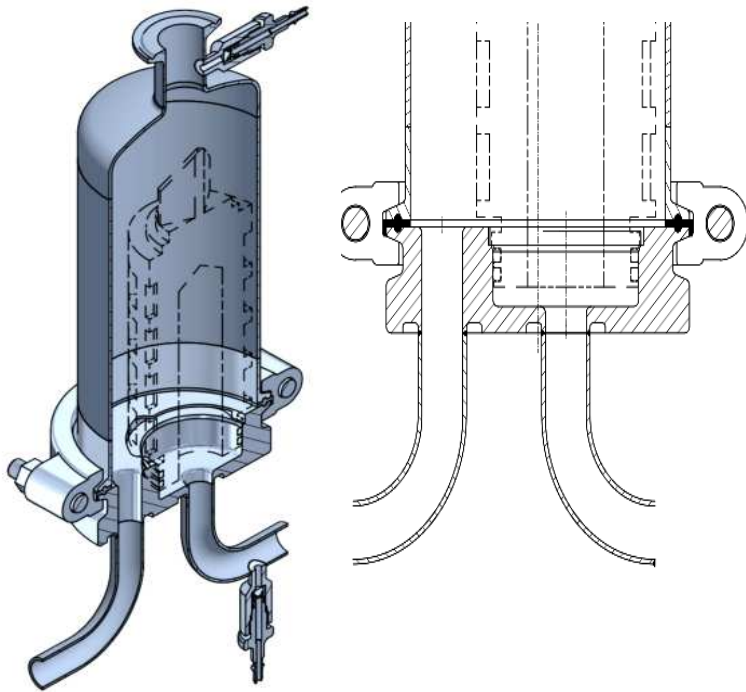


The aseptic closure based on DIN11864/A with O-ring is a hygienic seal in accordance with EHEDG

As standard in the GIP range (liquid) up to max. 10 bar and 150°C.



### 3. TC HOUSING, DIN32676 - 15000

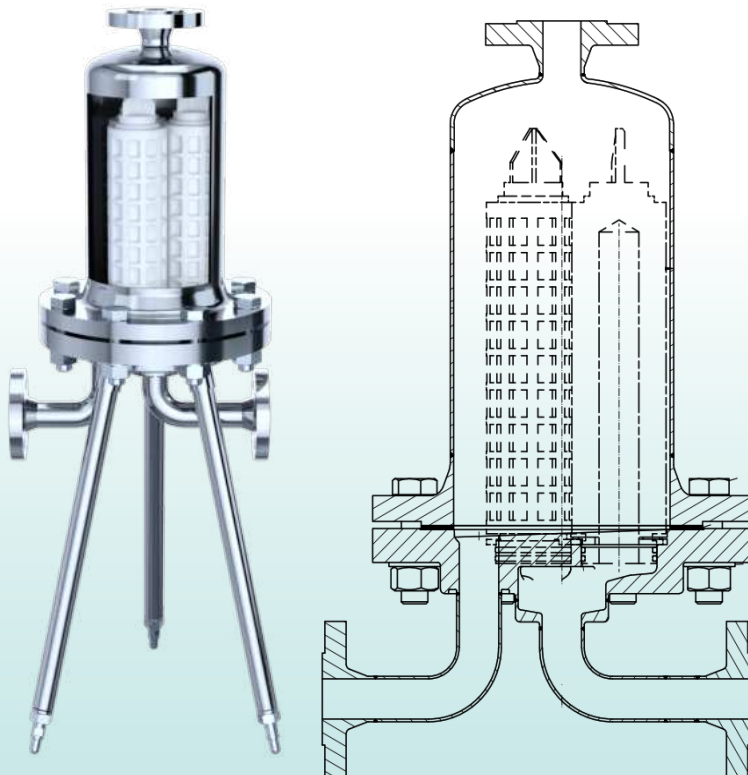


The housing with the TC closure, TC DIN32676 with flat gasket

As standard in the GIP range (liquid) up to max. 10 bar and 150°C.

All housings can be customised with venting nozzles, pressure gauges, various valve designs and feet.

### 4. FLANGED HOUSING - 15000

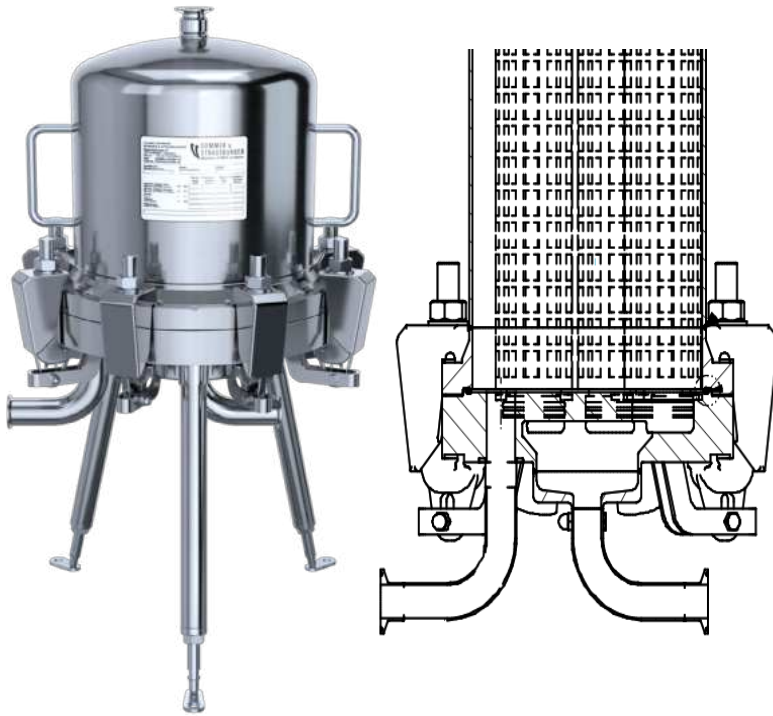


The flange EN1092-1 closure is especially indispensable in the Category-GIP and -ASME fields.

Up to max. 10 bar and 200°C as standard.

The most common filter cartridge type is code 7, but we are also happy to offer you other filter cartridge connections.

## 5. BRACKET SCREW HOUSING 15000

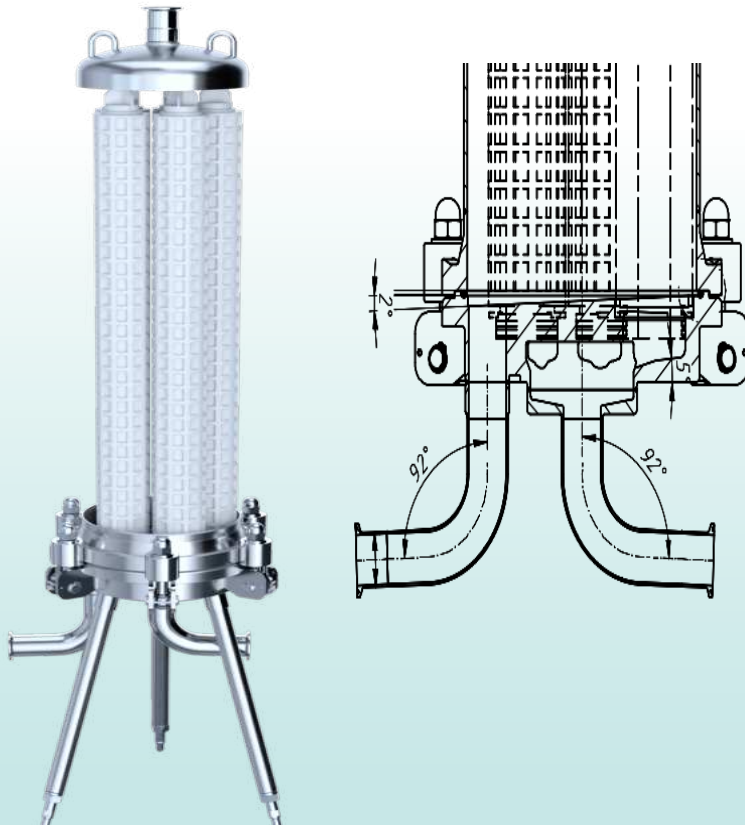


The O-ring is similar to DIN 11864-3.

Load cycle calculations and non-destructive tests are of course possible with us.

We offer CIP lances for all types of housings, with customised spray balls on request, customised spray balls and CIP caps.

## 6. SWING BOLT HOUSING 15000



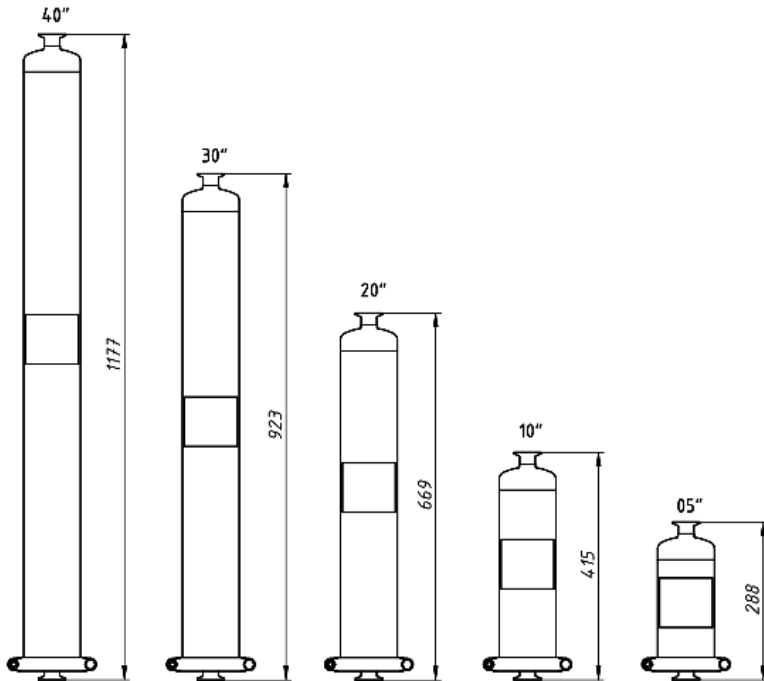
Swingbolts with eye-bolts, can be fitted in accordance with BSM Class.

As standard (liquid) up to max. 10 bar and 150°C.

On request with 2° gradient in the base and 5° gradient in the filter outlet

Special tube bends with 92° angle

## 7. CRIMPED INLINE HOUSING 39000



Inline filter,  
for slightly contamina-  
ted gases and liquids

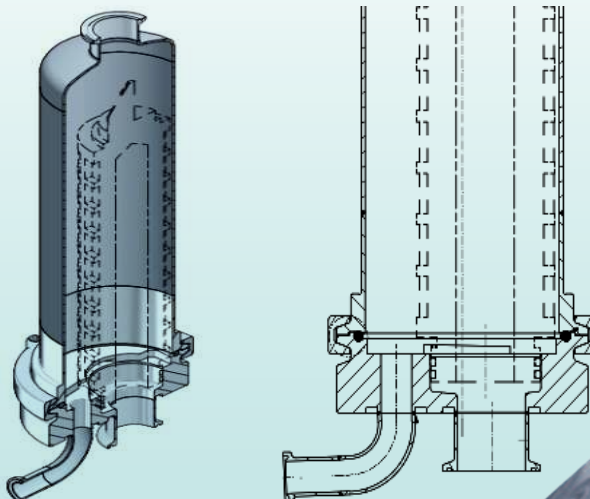
Also known as police /  
secondary filters

The crimped version  
with O-ring is cost-ef-  
fective, but only per-  
mitted up to 8 bar  
max. pressure and  
max. 90°C as standard  
(liquid media).

## 8. ASEPTIC INLINE

Internal surfaces  
up to  $Ra \leq 0.38 \mu\text{m}$ .

The aseptic closure based on DIN11864/A  
with O-ring is a hygienic seal in accordance  
with EHEDG.

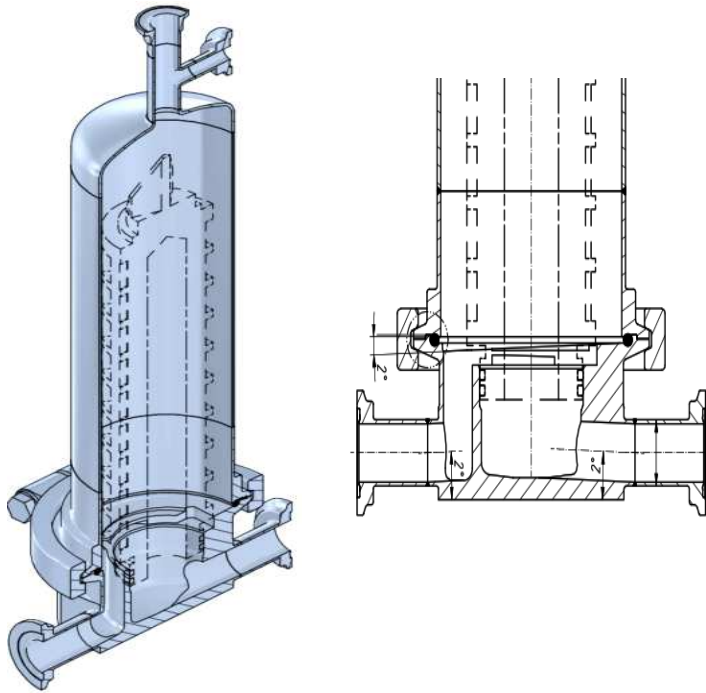


## 9. TC INLINE

Inline housing with  
clamp sealing ring to  
DIN32676 - Series A  
and two-part clamp.



## 10. LOW VOLUME ASEPTIC HOUSING 41000

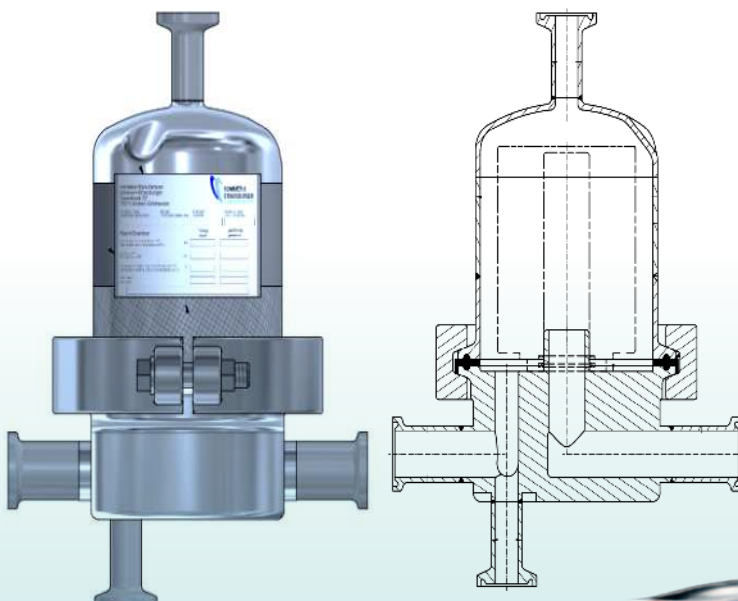


In T- and L-Line design

Optionally with 2 % gradient in the outlet

As standard (liquid)  
up to max. 10 bar and  
150°C.

## 11. LOW VOLUME TC HOUSING 40000



Low volume housing  
with clamp sealing ring  
to DIN32676 - Series A  
and two-part clamp.

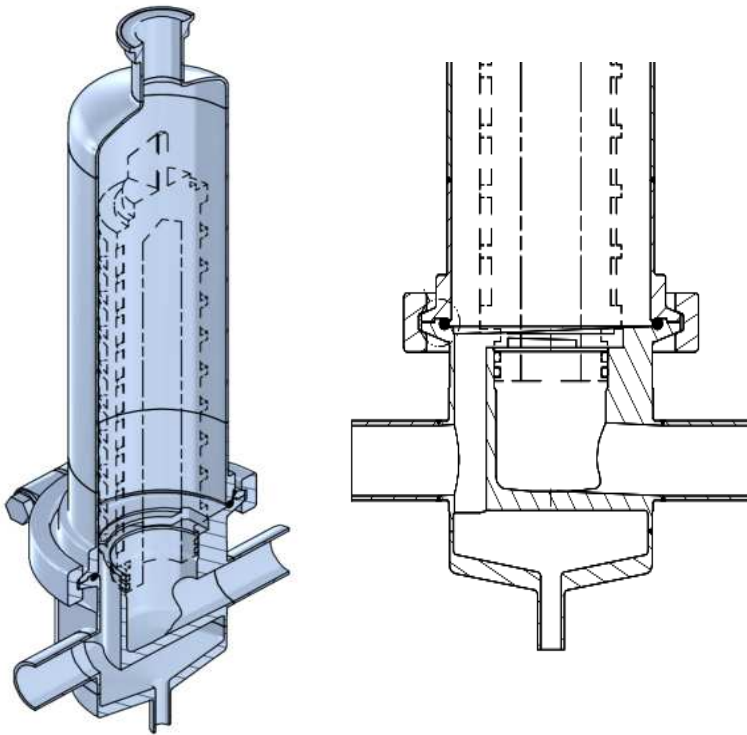
Example: Mini filter  
housing 01x02"

Volume 0.3 liters

For cartridges with



## 12. ASEPTIC GAS FILTER HOUSING 38000

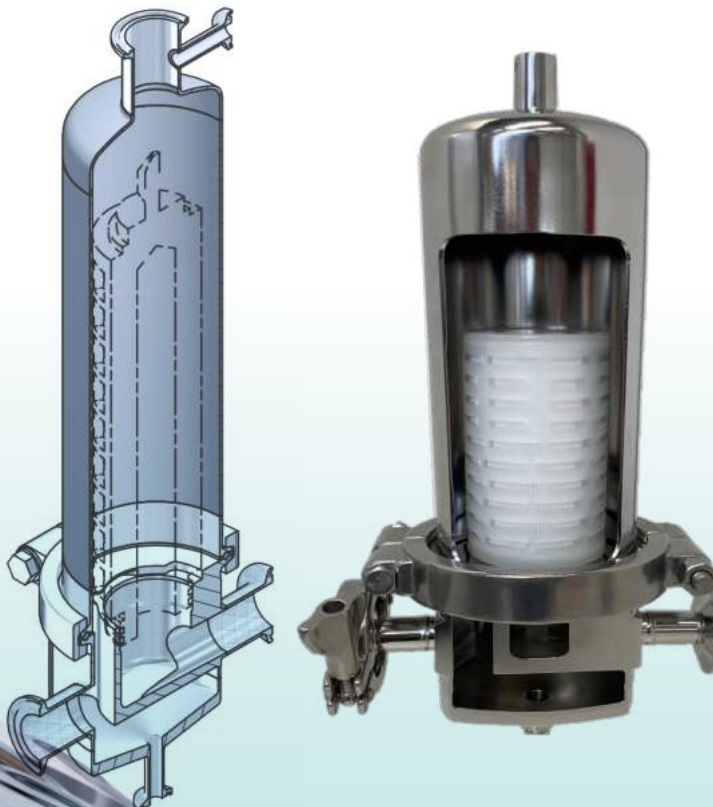


Condensate filter housing

High temperature resistance

New design in 2023  
Less weld seams suitable for automatic welding

## 13. TC GAS FILTER HOUSING 38000



New: Lower part (without connections) made of one piece

16 standard versions,  
DN10 to DN40 DIN  
DN8 to DN32 ISO  
1/2" to 1/1/2"

In modular system -  
Optional: heatable

You can find more information about the gas housing under this link:



## ADDITIONAL OPTIONS



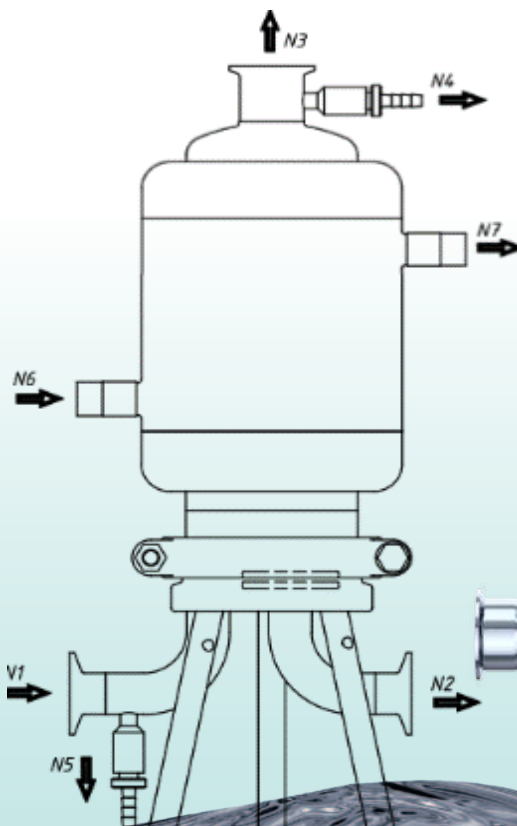
Electric trace heating with heating sleeve depending on size 50-500 watts, including temperature controller, integrated or removable.

CIP-cover and CIP-lances with customised sprayballs

Housing with insulation

Filter housing with heating jacket (inlet N6, outlet N7)

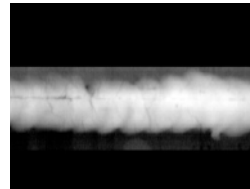
Filter housing with removable upper housing part.



## QUALITY ASSURANCE & DOCUMENTATION



Penetration test(PT)



Digital X-ray up to 600 mm diameter.



Endoscopy of weld seams



Riboflavin test

We carry out specific tests, such as X-rays, dye-penetrant inspections or pressure tests in-house, endoscopy of weld seams and riboflavin tests for quality assurance.

Our documentation is detailed and can include material certificates, surface measurements, calibration certificates and much more. On request, we can also document a drainability test in accordance with ASME BPE latest edition.

## ACCEPTANCE DOCUMENTS & APPROVALS



PED 2014/68/EU Module A to H/H1 - European Pressure Equipment Directive



ASME - For export to the USA and more than 100 countries worldwide



CRN - Pressure devices for the Canadian market



KEA - Certification of machinery and equipment for the South Korean market



SELO licence - Approval procedure of the Chinese authority for pressure tanks



JIS - The Japanese Industrial Standards define the standards that are used in Japan

Quality management, certified according to DIN ISO 9001:2015

You can find detailed information at:  
[www.sus-bretten.de/en/approvals-certificates/](http://www.sus-bretten.de/en/approvals-certificates/)





## INEX solutions

Excellence in Premium Steel



INEX-solutions stands for bundled power and innovative technology „Made in Germany“. With over 300 employees, we are at your service!



 Ein Unternehmen  
der GESCO-Gruppe

Sommer & Strassburger GmbH  
Gewerbestraße 32  
75015 Bretten – Gölshausen

Tel.: +49 (0) 72 52 / 93 95 – 0  
E-Mail: [info@sus-bretten.de](mailto:info@sus-bretten.de)  
[www.sus-bretten.de](http://www.sus-bretten.de)

